

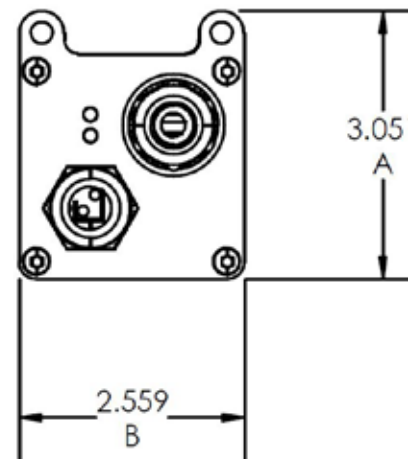
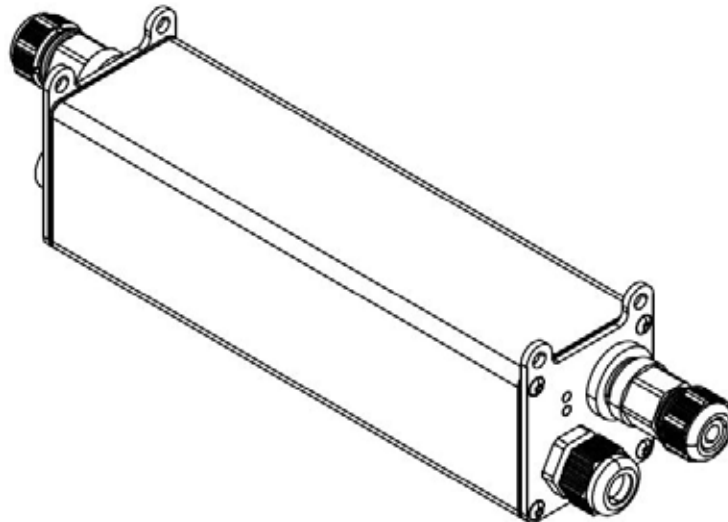
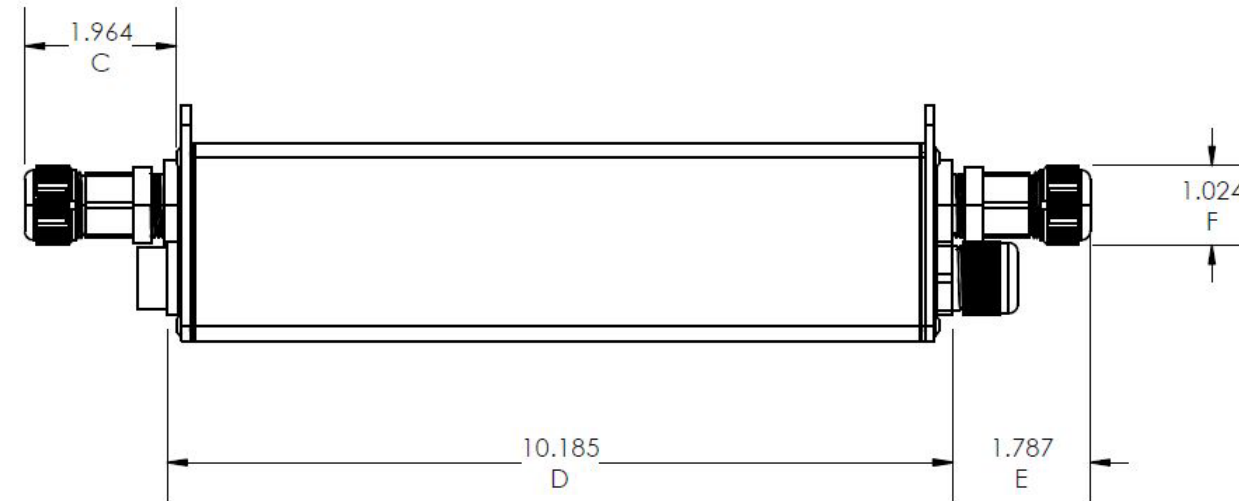
Gavita® e-Series LED Adapter

Item #HGC906151 120 - 277 V

Item #HGC906150 347 V



SPECIFICATIONS



INPUT VOLTAGE:	
HGC906151	HGC906150
120-277 V	347 V
INPUT CURRENT:	
HGC906151	HGC906150
6.3A @ 120V 2.7 A @ 277V	2.2 A
DIMENSIONS (L X W X H):	
11.42 x 2.56 x 3.01 in / 290 x 65 x 77.5 mm	
FREQUENCY: 50/60 Hz	
TEMPERATURE AMBIENT: 32-113° F (0-45° C)	
POWER CORD LENGTH (ESA TO FIXTURE):	
28.35 in / 720 mm	
WARRANTY: 3 Years (from original date of purchase)	
INCLUDES:	
<ul style="list-style-type: none"> • 2 x IP66 RJ45 Cable Glands • 1 x RJ45 Dummy Plug • 1 x 6 ft RJ45 to RJ45 Interconnect Cable 	

*When using a repeater bus fixture or ballast
**Drawing is Not to Scale

HGC906151 - HGC906150 Gavita® e-Series LED Adapter Spec-Sheet - Last Updated 01/05/2021



This document is not intended to be used for installation purposes. We cannot cover all specific applications or anticipate all requirements. All specifications are subject to change without notice.

HawthorneGC.com | Canada: HawthorneGC.ca