



GREENBROZ

TRUE TO THE CROP



MODEL M DRY TRIMMER

User Manual

GreenBroz.com

WARNING

This machine contains moving parts.

Do not attempt to touch the top or bottom blades while the machine is in operation.

Long hair or loose clothing can get caught in the moving parts.

Ensure that any loose hanging jewelry, long hair or clothing is away from the machine.



Do not operate the machine while impaired.

Ensure the machine is unplugged prior to any disassembly.

FAILURE TO COMPLY WITH THE ABOVE MAY RESULT IN SERIOUS INJURY.

DIMENSIONS | WEIGHT | SPEED



Dimensions

Without Tray - 29 5/8" L x 27" W x 51" H

With Tray and Control Box - 41 1/4" L x 36 1/4" W x 51" H



Weight

190 Lbs (86.18 Kg)



Speed

Variable Speed 0-20 RPM



Power

Amperage: 1.3 Amps

Voltage: 110 V

Hertz: 60Hz



The Industrial Control Panel is c  US LISTED



UNPACKING & OPERATION

The day has come and you have an incredible new machine in your hands! Congratulations!

There are a few things to do prior to using your machine for the first time. All parts noted in this manual will be included with your machine, unless otherwise noted.

Prior to your first use, you'll need to gather the following materials:

- Oil. A sample of our resin clear oil can be found in the user manual pack
- Isopropyl alcohol
- Box cutter or razor blade
- Microfiber cloth

UNPACKING & ASSEMBLY

1. Remove the machine from the shipping container by unscrewing the cart brackets and remove all the plastic and tape.
2. Open the lid and remove the blade clips holding the blade in place for shipping.
3. Remove the shelf, control box, fins, and starter pack from the trim bin under the machine.
4. Install upper and lower guide fins in the slots on the top and right hand side of the barrel.**
5. Slide the control box onto the wedge bracket.
6. Unscrew the connector caps from the side of the machine.
7. Plug in the control cables into appropriate ports.
8. Plug machine into power outlet.
9. Using a microfiber cloth, wipe down the trimming area with isopropyl alcohol.

Turning Machine On:

1. Release E-Stop.
2. Plug machine into power.
3. Wait for HMI to power on and display splash screen.
4. Touch anywhere to start.

Congratulations!
Your GreenBroz Model M
is now ready to use.

OPERATION

We recommend reviewing all of the disclosures and following all of the instructions to ensure safety and optimal processing.

Prior to use, ensure that the machine placement is sound.

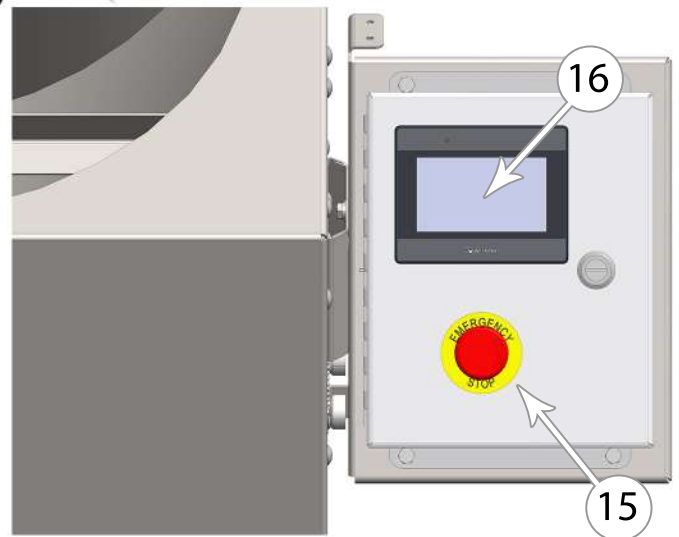
1. Open the lid and place the material to be processed into the cutting chamber.
2. Close lid. The trimmer will not operate when the lid is open.
3. Plug machine into electric outlet, release E stop, tap screen, tap 'start trimming', use slider to select desired speed, select forward, press start. You may use the count up method by simply pressing start, or you can input a desired time and press start.
4. You may view the amount of trimmed material being removed by inspecting the trim bin below the trimmer.
5. As material is processing, you will see a decrease in volume in the cutting chamber, and material will be visibly more trim.
6. Occasionally check for any stems caught between the blades. If stems are caught, tap REVERSE and wait for 2/3 of a rotation in order to release material, then tap FORWARD.
7. When processing is complete, place the container below the flower door, and simply raise the door while the machine is still running to release your trimmed material. Toggle between forward and reverse to get the last bit out.
8. Repeat until your harvest is complete.

MACHINE PARTS



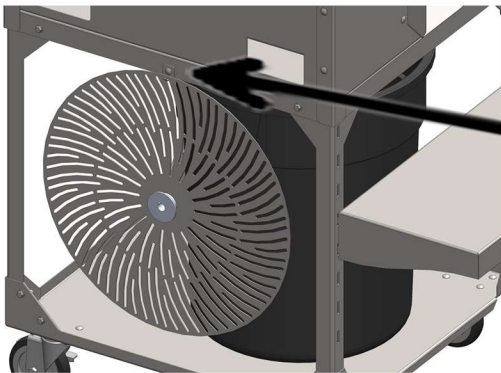
- 1. Flower Ramp
- 2. Top Blade
- 3. Bottom Blade
- 4. Proximity Safety Switch
- 5. Removable Barrel
- 6. Removable Control Box
- 7. Trim Collection Bin Location
- 8. Reversible Tray / Flower Collector
- 9. Flower Door
- 10. Stainless Steel Stand
- 11. Lower Flower Fin
- 12. Upper Flower Fin
- 13. Hub Key + Hub Screw
- 14. Wedge Bracket

- 15. Emergency Stop
- 16. Touch Screen



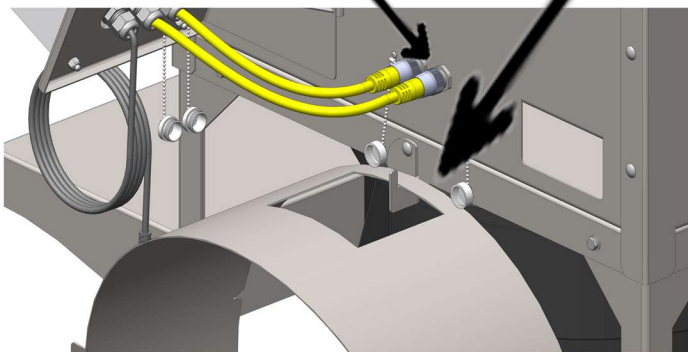
CLOSE-UPS | SHUT DOWN | CLEANING

CLOSE-UPS

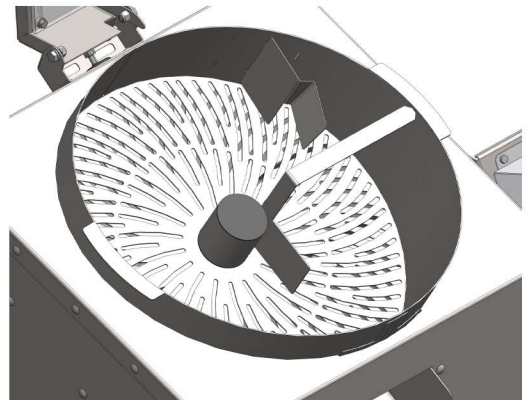


Convenient hooks
on both sides for blade
and barrel storage

Cap connectors when you
pressure wash.



Upper and Lower
Fin Assembly



SHUT DOWN PROCEDURE

1. Unplug machine from electrical outlet.

CLEANING PROCEDURE

1. Unplug the machine.
2. Open lid.
3. Remove upper and lower fin.
4. Remove hub screw and key (thumb tightened).
5. Remove top blade.
6. Remove bottom blade.
7. Remove barrel.
8. Wipe down all surfaces with alcohol and lint free cloth.

*** If you're going to pressure wash your machine, remove HMI control panel and cap power connections using connector caps that were removed during unpacking.

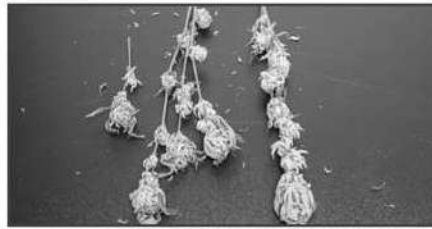
PRODUCT PREP & TROUBLESHOOTING

PRODUCT PREP

Moisture meter info: We found a regular wood meter to be quite reliable.
Moisture meter made by "General" - MMD4E, about \$30.



1. Remove water / fan leaves.
2. Remove flowers from the stems, just as you would for hand-trimming.
Tip: Cut stem close to flower.
3. Hang drying your flowers keeps them in the best shape for trimming.
Laying buds out to dry tends to press the leaves against the bud, making them harder to remove.



TROUBLESHOOTING

ISSUE: Dry Trimmer not powering on:

- * Make sure your lid is closed.
- * Make sure E stop is released.

ISSUE: Hard to insert or remove top blade:

- * If there is tension between the motor shaft & "hub key", rotate the blade in the opposite direction, about half in, to release the pressure.
- * Make sure the hub & blade are aligned as loose hardware can prevent the hub and top blade from aligning with the motor shaft.

ISSUE: Top blade vibrates or chatters when rotating:

- * Loose mounting screws holding the blade to the hub can cause the blade to chatter. Make sure hardware is secure on the hub before processing.
- * Resin build up can cause vibrating/chattering of the blade as well. If it seems to be the case, clean blades per the protocol provided.
- * When stems get caught inbetween the blades, it could also cause a chattering sound.

NOTE: Take extra precaution while cleaning. Removing hub prior to cleaning can prevent uneven pressure when removing resin build up on the underside of the top blade.

Attention: Blue Loctite is suggested if the threads on the screws that secure the hub to the blade have become loosened.

Still having issues?

We want to help!

Call 844.DRY.TRIM (844.379.8746)
and speak to our support team.

WARRANTY REGISTRATION

GO TO GREENBROZ.COM TO REGISTER.

Click on the product registration page to register your products. You must register within 30 days from purchase date to activate your warranty.

UNLESS SUBPOENAED, ALL INFORMATION OBTAINED BY GREENBROZ INC. WILL BE KEPT PRIVATE AND SECURE. GREENBROZ INC. WILL NOT SHARE OR DISTRIBUTE YOUR INFORMATION WITHOUT CONSENT.

LIMITED WARRANTY

Products covered: This limited warranty is limited to GreenBroz, Inc. Dry Trimmer products manufactured by GreenBroz, Inc. (the “products”) and provides that such product is free from defects in material and workmanship.

Length of warranty: The length of this warranty shall be **12 months** from the date of original retail purchase of the product.

To Qualify for this warranty: The product must be purchased from GreenBroz Inc., or a dealer authorized by GreenBroz, Inc., to sell the products. This warranty only applies to the first retail purchaser and is not transferable to subsequent owners.

What GreenBroz will repair or replace under warranty: GreenBroz Inc. will repair or replace, at its option, any part that is proved to be defective in material or workmanship under normal use during the applicable warranty period. Warranty repairs and replacements will be made without charge for parts or labor. Anything replaced under warranty becomes the property of GreenBroz, Inc. All parts replaced under warranty will be considered as part of the original product and any warranty on those parts will expire coincidentally with the original product warranty. **To obtain Warranty Service:** Contact GreenBroz, Inc. for a return authorization and instructions for warranty.

Exclusions: 1. Any damage or deterioration resulting from neglect of periodic maintenance as specified in any product owner’s manual or any improper repair or maintenance; 2. Neglect, unauthorized alteration, modifications, misuse, incorporation of use of unsuitable attachments or parts ; 3. Damage caused by salt water, corrosion, rust, varnish, abrasives, and moisture; or 4. Any product that has ever been declared a total loss or sold for salvage by a financial institution or insurer.

Disclaimer of Consequential Damage and Limitations of Implied Warranties: This limited warranty is in lieu of all other expressed or implied warranties, including any warranty of FITNESS FOR A PARTICULAR PURPOSE OR USE and any implied warranty of MERCHANTABILITY otherwise applicable to this product. GreenBroz, Inc. disclaims any responsibility for loss of time or use of the product, transportation, commercial loss, or any other incidental or consequential damage, including lost profits. There are no warranties extended other than as provided herein. This limited warranty may be modified only by GreenBroz, Inc.

GREENBROZ

HARVESTING SYSTEMS

Precision Sorter



- Sort 1.5+ Lbs. Per Minute
- Whisper Quiet Motor
- HMI Digital User Interface

Model M Dry Trimmer



- Trims 8-12 Lbs. Per Hour
- Adjustable Speed Control (1-20 RPM)
- HMI Digital User Interface

215 Dry Trimmer



- Trims 2-4 Lbs. Per Hour
- Gentle and Quiet
- Food-Grade Stainless Steel & HDPE

Alchemist 215 Trichome Extractor



- 1.5 Cubic Feet Capacity
- Yields 15-25% By Weight
- Fits 1.5-2.5 Lbs. of Trim

Alchemist 420 Trichome Extractor



- 8 Cubic Feet Capacity
- Yields 15-25% By Weight
- Fits Up to 8-10 Lbs. of Trim

215 CannaGin Destemmer



- Process Multiple Stems at a Time
- Destemming Rate Of 4-6 Lbs. Per Hour
- Speed Ranges from 0-80 RPM

Rise Conveyor



- Holds Up To 15 Lbs. at a Time
- Washdown Ready Motor
- Feed Rate up to 3 Lbs. Per Minute

Cartridge Capping System



- 2400/Hr (Threaded Vape Cartridges)
- 1800/Hr (Press Fit Vape Cartridges)
- No Minimum Batch Size

RollPros 500



- 500+ Preroll Joints per Hour
- Filling Accuracy +/- 0.06g
- 91% Labor Reduction vs. Hand Labor